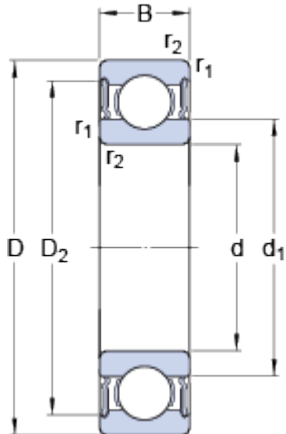


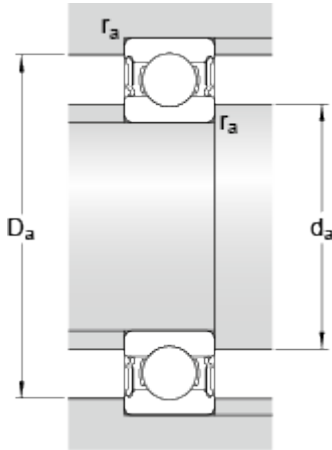
61809-2RS1

Dimensions



d		45	mm
D		58	mm
B		7	mm
d ₁	≈	48.2	mm
D ₂	≈	55.4	mm
r _{1,2}	min.	0.3	mm

Abutment dimensions



d _a	min.	47	mm
d _a	max.	49	mm
D _a	max.	56	mm
r _a	max.	0.3	mm

Calculation data

Basic dynamic load rating	C	6.63	kN
Basic static load rating	C	6.1	kN
Fatigue load limit	P _u	0.26	kN
Limiting speed		6700	r/min
Calculation factor	k _r	0.015	
Calculation factor	f	17	

Mass

Mass bearing		0.04	kg
--------------	--	------	----