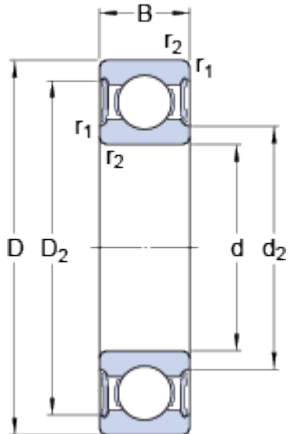


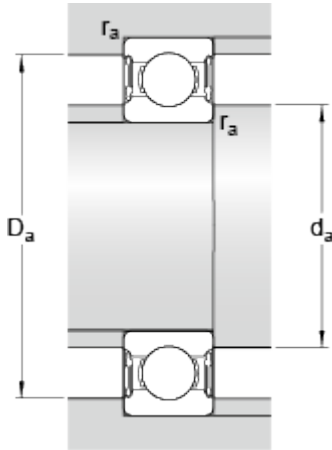
61808-2RS1

Dimensions



d		15	mm
D		52	mm
B		7	mm
d ₂	≈	0	mm
D ₂	≈	49.3	mm
r _{1,2}	min.	0.3	mm

Abutment dimensions



d _a	min.	42	mm
d _a	max.	42	mm
D _a	max.	50	mm
r _a	max.	0.3	mm

Calculation data

Basic dynamic load rating	C	4.49	kN
Basic static load rating	C	3.75	kN
Fatigue load limit	P _u	0.16	kN
Limiting speed		7500	r/min
Calculation factor	k _r	0.015	
Calculation factor	f	14.6	

Mass

Mass bearing		0.034	kg
--------------	--	-------	----