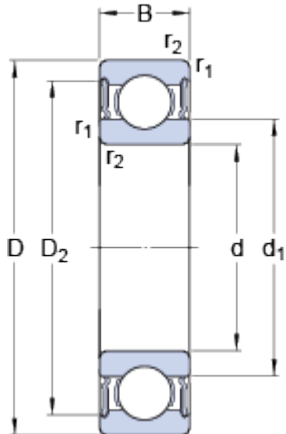


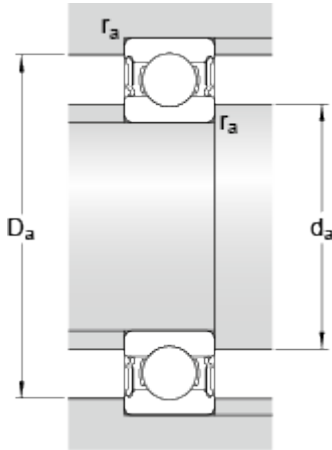
61807-2RS1

Dimensions



d		35	mm
D		47	mm
B		7	mm
d ₁	≈	38.21	mm
D ₂	≈	44.4	mm
r _{1,2}	min.	0.3	mm

Abutment dimensions



d _a	min.	37	mm
d _a	max.	38	mm
D _a	max.	45	mm
r _a	max.	0.3	mm

Calculation data

Basic dynamic load rating	C	4.36	kN
Basic static load rating	C	3.35	kN
Fatigue load limit	P _u	0.14	kN
Limiting speed		8500	r/min
Calculation factor	k _r	0.015	
Calculation factor	f	14.3	

Mass

Mass bearing		0.022	kg
--------------	--	-------	----