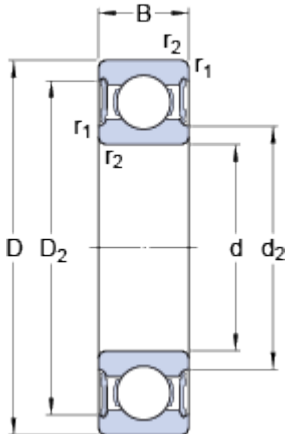


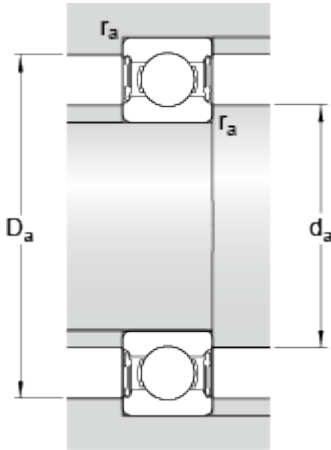
61806-2RS1

Dimensions



d	30	mm
D	42	mm
B	7	mm
D ₂	≈ 39.4	mm
r _{1,2}	min. 0.6	mm

Abutment dimensions



d _a	min.	32	mm
d _a	max.	32.5	mm
D _a	max.	40	mm
r _a	max.	0.3	mm

Calculation data

Basic dynamic load rating	C	4.49	kN
Basic static load rating	C	2.9	kN
Fatigue load limit	P _u	0.146	kN
Limiting speed		9500	r/min
Calculation factor	k _r	0.015	
Calculation factor	f	13.9	

Mass

Mass bearing	0.025	kg
--------------	-------	----