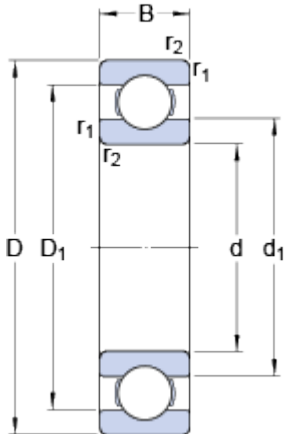


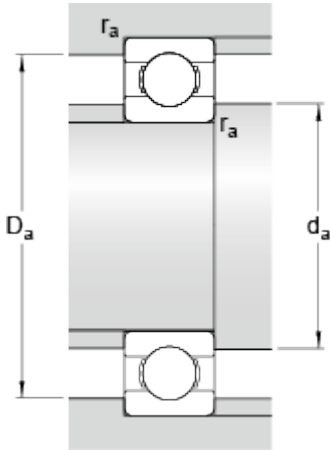
61805

Dimensions



d		25	mm
D		37	mm
B		7	mm
d ₁	≈	28.5	mm
D ₁	≈	33.15	mm
r _{1,2}	min.	0.6	mm

Abutment dimensions



d _a	min.	27	mm
D _a	max.	35	mm
r _a	max.	0.3	mm

Calculation data

Basic dynamic load rating	C	4.36	kN
Basic static load rating	C	2.6	kN
Fatigue load limit	P _u	0.125	kN
Reference speed		38000	r/min
Limiting speed		24000	r/min
Calculation factor	k _r	0.015	
Calculation factor	f	14.2	

Mass

Mass bearing		0.022	kg
--------------	--	-------	----