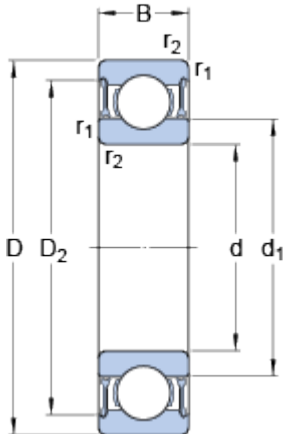


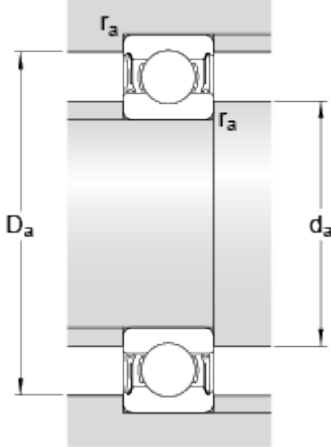
# 61805-2RZ

## Dimensions



d		25	mm
D		37	mm
B		7	mm
d <sub>1</sub>	≈	28.5	mm
D <sub>2</sub>	≈	34.12	mm
r <sub>1,2</sub>	min.	0.3	mm

## Abutment dimensions



d <sub>a</sub>	min.	27	mm
d <sub>a</sub>	max.	28.4	mm
D <sub>a</sub>	max.	35	mm
r <sub>a</sub>	max.	0.3	mm

## Calculation data

Basic dynamic load rating	C	4.36	kN
Basic static load rating	C	2.6	kN
Fatigue load limit	P <sub>u</sub>	0.125	kN
Reference speed		38000	r/min
Limiting speed		19000	r/min
Calculation factor	k <sub>r</sub>	0.015	
Calculation factor	f	13.7	

## Mass

Mass bearing		0.022	kg
--------------	--	-------	----