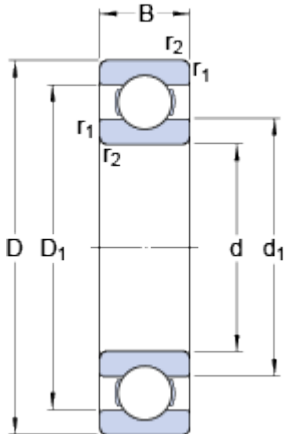


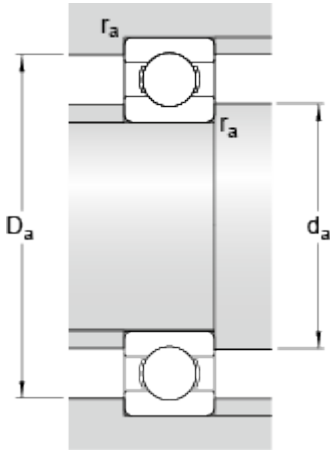
61804

Dimensions



d		20	mm
D		32	mm
B		7	mm
d_1	≈	23.85	mm
D_1	≈	28.25	mm
$r_{1,2}$	min.	0.3	mm

Abutment dimensions



d_a	min.	22	mm
D_a	max.	30	mm
r_a	max.	0.3	mm

Calculation data

Basic dynamic load rating	C	4.03	kN
Basic static load rating	C	2.32	kN
Fatigue load limit	P_u	0.104	kN
Reference speed		45000	r/min
Limiting speed		28000	r/min
Calculation factor	k_r	0.015	
Calculation factor	f	14.5	

Mass

Mass bearing		0.018	kg
--------------	--	-------	----