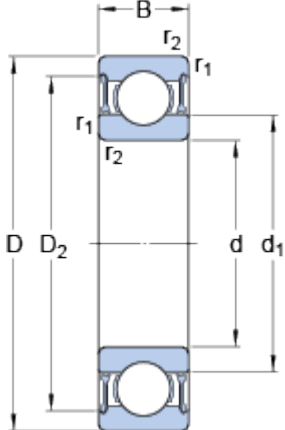


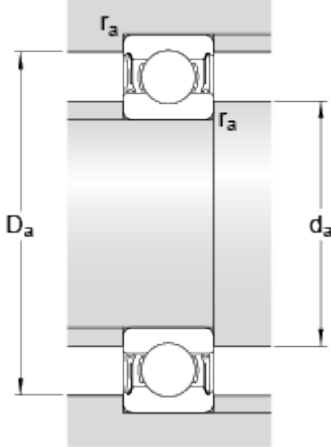
61804-2RZ

Dimensions



d		20	mm
D		32	mm
B		7	mm
d ₁	≈	23.85	mm
D ₂	≈	29.4	mm
r _{1,2}	min.	0.6	mm

Abutment dimensions



d _a	min.	22	mm
d _a	max.	23.6	mm
D _a	max.	30	mm
r _a	max.	0.3	mm

Calculation data

Basic dynamic load rating	C	4.03	kN
Basic static load rating	C	2.32	kN
Fatigue load limit	P _u	0.104	kN
Reference speed		45000	r/min
Limiting speed		22000	r/min
Calculation factor	k _r	0.015	
Calculation factor	f	14.5	

Mass

Mass bearing		0.018	kg
--------------	--	-------	----