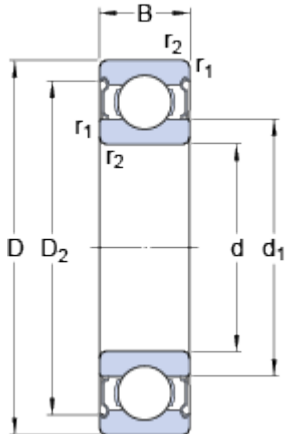


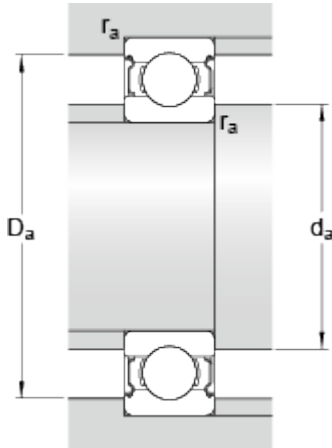
61803-2Z

Dimensions



d		17	mm
D		26	mm
B		5	mm
d ₁	≈	19.8	mm
D ₂	≈	24.15	mm
r _{1,2}	min.	0.3	mm

Abutment dimensions



d _a	min.	19	mm
d _a	max.	19.6	mm
D _a	max.	24	mm
r _a	max.	0.3	mm

Calculation data

Basic dynamic load rating	C	2.03	kN
Basic static load rating	C	1.27	kN
Fatigue load limit	P _u	0.054	kN
Reference speed		56000	r/min
Limiting speed		28000	r/min
Calculation factor	k _r	0.015	
Calculation factor	f	14.1	

Mass

Mass bearing		0.0082	kg
--------------	--	--------	----