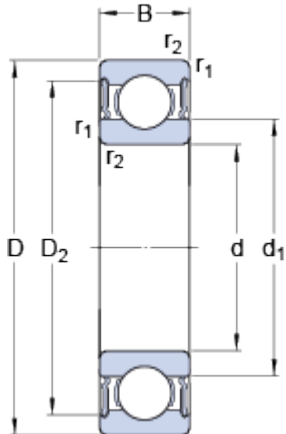


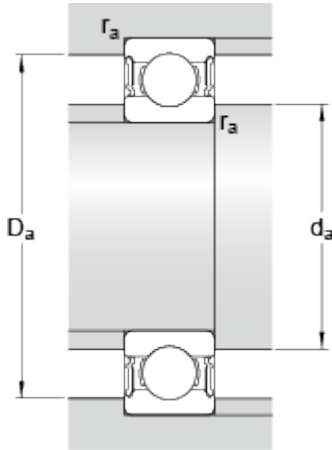
61802-2RS1

Dimensions



d		15	mm
D		24	mm
B		5	mm
d ₁	≈	17.8	mm
d ₂	≈	0	mm
D ₂	≈	22.15	mm
r _{1,2}	min.	0.3	mm

Abutment dimensions



d _a	min.	17	mm
d _a	max.	17.8	mm
D _a	max.	22	mm
r _a	max.	0.3	mm

Calculation data

Basic dynamic load rating	C	1.9	kN
Basic static load rating	C	1.1	kN
Fatigue load limit	P _u	0.048	kN
Limiting speed		17000	r/min
Calculation factor	k _r	0.015	
Calculation factor	f	13.8	

Mass

Mass bearing		0.0074	kg
--------------	--	--------	----