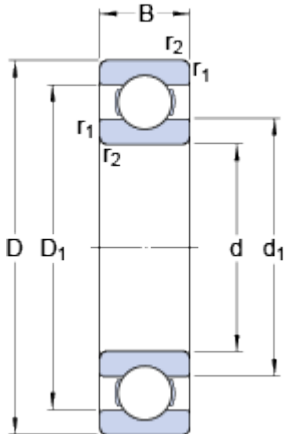


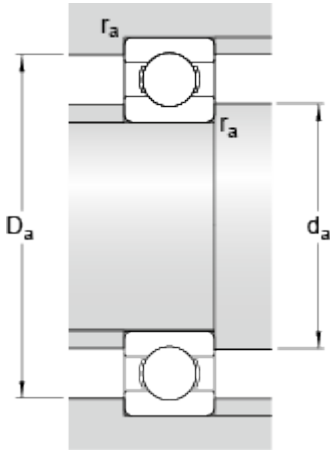
# 61800

## Dimensions



$d$		10	mm
$D$		19	mm
$B$		5	mm
$d_1$	≈	12.74	mm
$D_1$	≈	16.26	mm
$r_{1,2}$	min.	0.3	mm

## Abutment dimensions



$d_a$	min.	12	mm
$D_a$	max.	17	mm
$r_a$	max.	0.3	mm

## Calculation data

Basic dynamic load rating	C	1.72	kN
Basic static load rating	C	0.83	kN
Fatigue load limit	$P_u$	0.036	kN
Reference speed		80000	r/min
Limiting speed		48000	r/min
Calculation factor	$k_r$	0.015	
Calculation factor	$f$	14.8	

## Mass

Mass bearing		0.0053	kg
--------------	--	--------	----