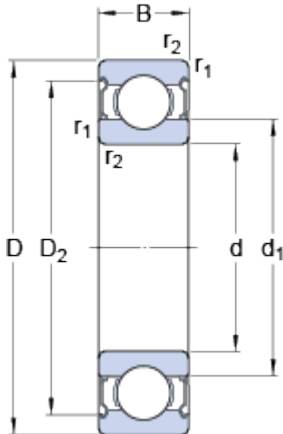


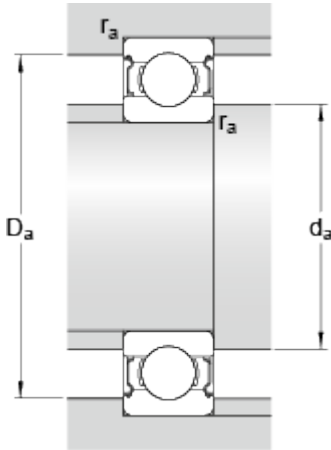
# 61800-2Z

## Dimensions



d		10	mm
D		19	mm
B		5	mm
d <sub>1</sub>	≈	12.74	mm
D <sub>2</sub>	≈	17.15	mm
r <sub>1,2</sub>	min.	0.3	mm

## Abutment dimensions



d <sub>a</sub>	min.	12	mm
d <sub>a</sub>	max.	12.5	mm
D <sub>a</sub>	max.	17	mm
r <sub>a</sub>	max.	0.3	mm

## Calculation data

Basic dynamic load rating	C	1.72	kN
Basic static load rating	C	0.83	kN
Fatigue load limit	P <sub>u</sub>	0.036	kN
Reference speed		80000	r/min
Limiting speed		38000	r/min
Calculation factor	k <sub>r</sub>	0.015	
Calculation factor	f	14.8	

## Mass

Mass bearing		0.0055	kg
--------------	--	--------	----