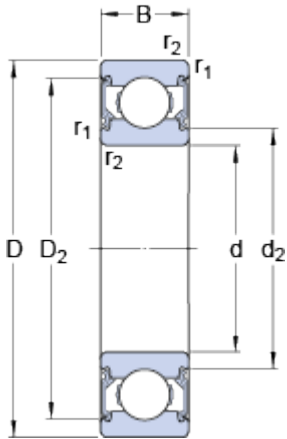


607-2RSH

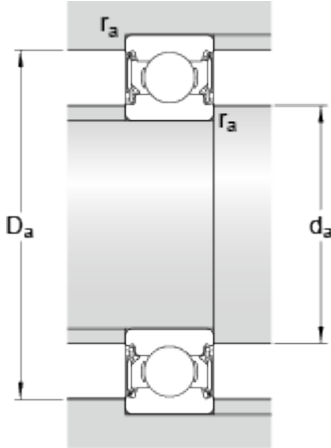
SKF Explorer

Dimensions



d		7	mm
D		19	mm
B		6	mm
d ₂	≈	9.5	mm
D ₂	≈	16.5	mm
r _{1,2}	min.	0.3	mm

Abutment dimensions



d _a	min.	9	mm
d _a	max.	9.4	mm
D _a	max.	17	mm
r _a	max.	0.3	mm

Calculation data

Basic dynamic load rating	C	2.34	kN
Basic static load rating	C	0.95	kN
Fatigue load limit	P _u	0.04	kN
Limiting speed		24000	r/min
Calculation factor	k _r	0.025	
Calculation factor	f	13	

Mass

Mass bearing		0.0078	kg
--------------	--	--------	----