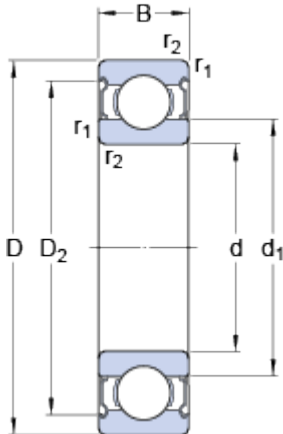


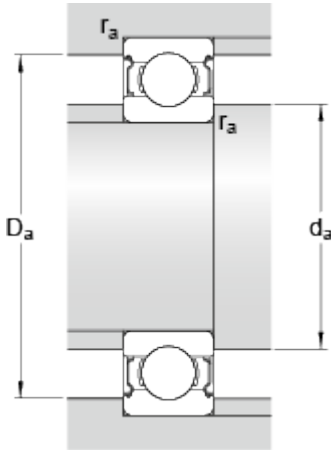
604-2Z

Dimensions



d		4	mm
D		12	mm
B		4	mm
d ₁	≈	6.1	mm
D ₂	≈	9.8	mm
r _{1,2}	min.	0.2	mm

Abutment dimensions



d _a	min.	5.4	mm
d _a	max.	6	mm
D _a	max.	10.6	mm
r _a	max.	0.2	mm

Calculation data

Basic dynamic load rating	C	0.806	kN
Basic static load rating	C	0.28	kN
Fatigue load limit	P _u	0.012	kN
Reference speed		120000	r/min
Limiting speed		60000	r/min
Calculation factor	k _r	0.025	
Calculation factor	f	10	

Mass

Mass bearing		0.0021	kg
--------------	--	--------	----