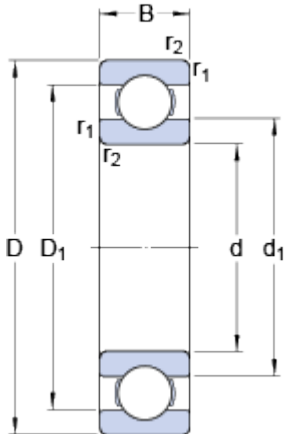


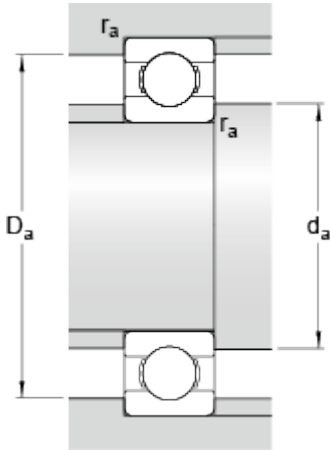
# 6038

## Dimensions



d		190	mm
D		290	mm
B		46	mm
d <sub>1</sub>	≈	222	mm
D <sub>1</sub>	≈	258	mm
r <sub>1,2</sub>	min.	2.1	mm

## Abutment dimensions



d <sub>a</sub>	min.	200	mm
D <sub>a</sub>	max.	280	mm
r <sub>a</sub>	max.	2	mm

## Calculation data

Basic dynamic load rating	C	195	kN
Basic static load rating	C	216	kN
Fatigue load limit	P <sub>u</sub>	5.85	kN
Reference speed		4800	r/min
Limiting speed		3000	r/min
Calculation factor	k <sub>r</sub>	0.025	
Calculation factor	f	16	

## Mass

Mass bearing		9.55	kg
--------------	--	------	----