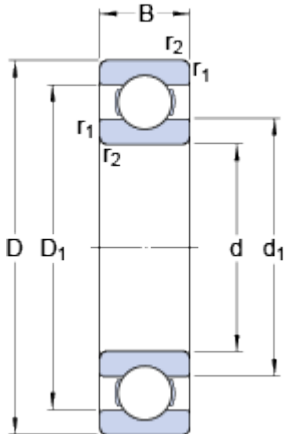


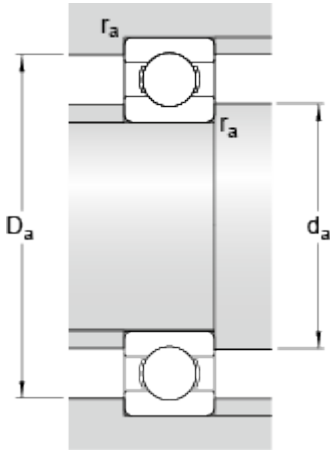
6036

Dimensions



d		180	mm
D		280	mm
B		46	mm
d ₁	≈	212.05	mm
D ₁	≈	248	mm
r _{1,2}	min.	2.1	mm

Abutment dimensions



d _a	min.	190	mm
D _a	max.	270	mm
r _a	max.	2	mm

Calculation data

Basic dynamic load rating	C	190	kN
Basic static load rating	C	200	kN
Fatigue load limit	P _u	5.6	kN
Reference speed		4800	r/min
Limiting speed		3000	r/min
Calculation factor	k _r	0.025	
Calculation factor	f	15.6	

Mass

Mass bearing		9.1	kg
--------------	--	-----	----