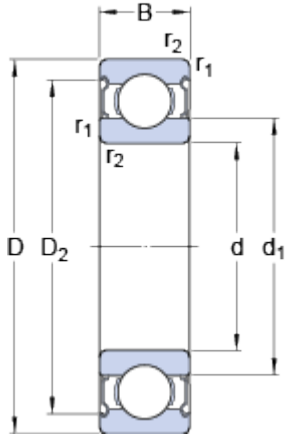


# 6024-2Z

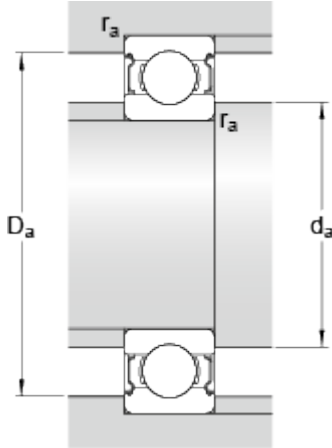
SKF Explorer

## Dimensions



d		120	mm
D		180	mm
B		28	mm
d <sub>1</sub>	≈	139.05	mm
D <sub>2</sub>	≈	165.3	mm
r <sub>1,2</sub>	min.	2	mm

## Abutment dimensions



d <sub>a</sub>	min.	129	mm
d <sub>a</sub>	max.	139	mm
D <sub>a</sub>	max.	171	mm
r <sub>a</sub>	max.	2	mm

## Calculation data

Basic dynamic load rating	C	88.4	kN
Basic static load rating	C	80	kN
Fatigue load limit	P <sub>u</sub>	2.75	kN
Reference speed		7500	r/min
Limiting speed		3800	r/min
Calculation factor	k <sub>r</sub>	0.025	
Calculation factor	f	15.9	

## Mass

Mass bearing		2.2	kg
--------------	--	-----	----