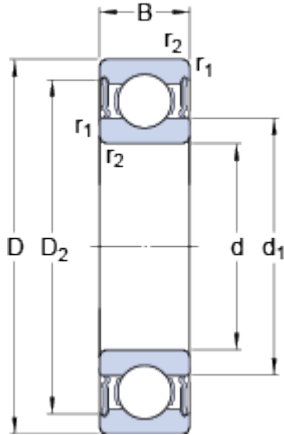


6024-2RS1

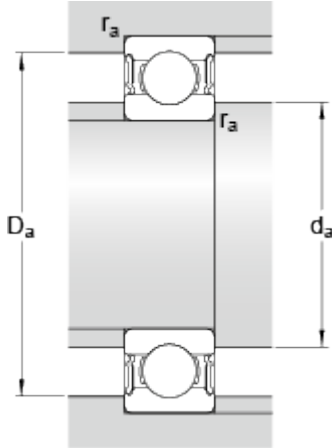
SKF Explorer

Dimensions



d		120	mm
D		180	mm
B		28	mm
d ₁	≈	139.05	mm
D ₂	≈	165.3	mm
r _{1,2}	min.	2	mm

Abutment dimensions



d _a	min.	129	mm
d _a	max.	139	mm
D _a	max.	171	mm
r _a	max.	2	mm

Calculation data

Basic dynamic load rating	C	88.4	kN
Basic static load rating	C	80	kN
Fatigue load limit	P _u	2.75	kN
Limiting speed		2200	r/min
Calculation factor	k _r	0.025	
Calculation factor	f	15.9	

Mass

Mass bearing		2.16	kg
--------------	--	------	----