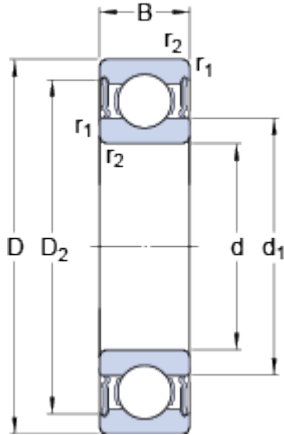


6020-2RS1

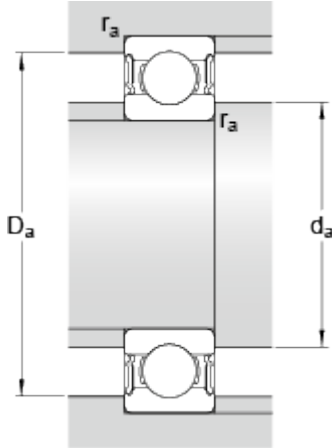
SKF Explorer

Dimensions



d		100	mm
D		150	mm
B		24	mm
d ₁	≈	115.95	mm
D ₂	≈	138.3	mm
r _{1,2}	min.	1.5	mm

Abutment dimensions



d _a	min.	107	mm
d _a	max.	115.9	mm
D _a	max.	143	mm
r _a	max.	1.5	mm

Calculation data

Basic dynamic load rating	C	63.7	kN
Basic static load rating	C	54	kN
Fatigue load limit	P _u	2.04	kN
Limiting speed		2600	r/min
Calculation factor	k _r	0.025	
Calculation factor	f	15.9	

Mass

Mass bearing		1.3	kg
--------------	--	-----	----