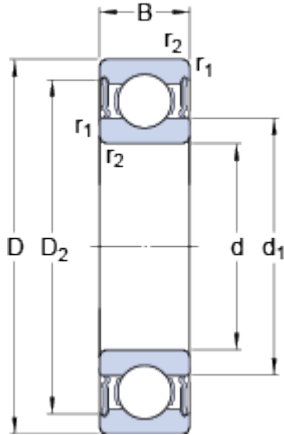


6018-2RS1

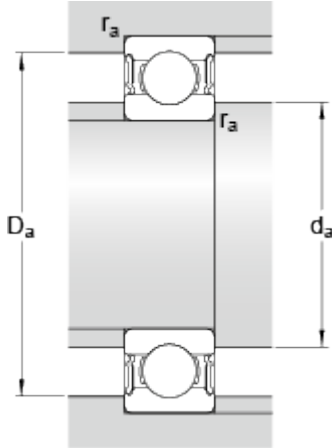
SKF Explorer

Dimensions



d	90	mm
D	140	mm
B	24	mm
d ₁	≈ 105.95	mm
D ₂	≈ 128.3	mm
r _{1,2}	min. 1.5	mm

Abutment dimensions



d _a	min.	97	mm
d _a	max.	105.9	mm
D _a	max.	133	mm
r _a	max.	1.5	mm

Calculation data

Basic dynamic load rating	C	60.5	kN
Basic static load rating	C	50	kN
Fatigue load limit	P _u	1.96	kN
Limiting speed		2800	r/min
Calculation factor	k _r	0.025	
Calculation factor	f	15.6	

Mass

Mass bearing	1.19	kg
--------------	------	----