

6015-2Z

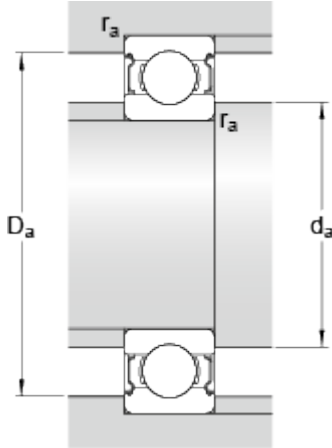
SKF Explorer

Dimensions



d		75	mm
D		115	mm
B		20	mm
d ₁	≈	87.85	mm
D ₂	≈	104.9	mm
r _{1,2}	min.	1.1	mm

Abutment dimensions



d _a	min.	81	mm
d _a	max.	87.8	mm
D _a	max.	109	mm
r _a	max.	1	mm

Calculation data

Basic dynamic load rating	C	41.6	kN
Basic static load rating	C	33.5	kN
Fatigue load limit	P _u	1.43	kN
Reference speed		12000	r/min
Limiting speed		6000	r/min
Calculation factor	k _r	0.025	
Calculation factor	f	15.8	

Mass

Mass bearing		0.68	kg
--------------	--	------	----