

6013-2Z

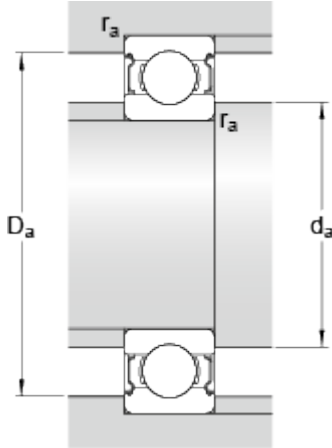
SKF Explorer

Dimensions



d		65	mm
D		100	mm
B		18	mm
d ₁	≈	76.3	mm
D ₂	≈	91.5	mm
r _{1,2}	min.	1.1	mm

Abutment dimensions



d _a	min.	71	mm
d _a	max.	76.2	mm
D _a	max.	94	mm
r _a	max.	1	mm

Calculation data

Basic dynamic load rating	C	31.9	kN
Basic static load rating	C	25	kN
Fatigue load limit	P _u	1.06	kN
Reference speed		14000	r/min
Limiting speed		7000	r/min
Calculation factor	k _r	0.025	
Calculation factor	f	15.8	

Mass

Mass bearing		0.46	kg
--------------	--	------	----