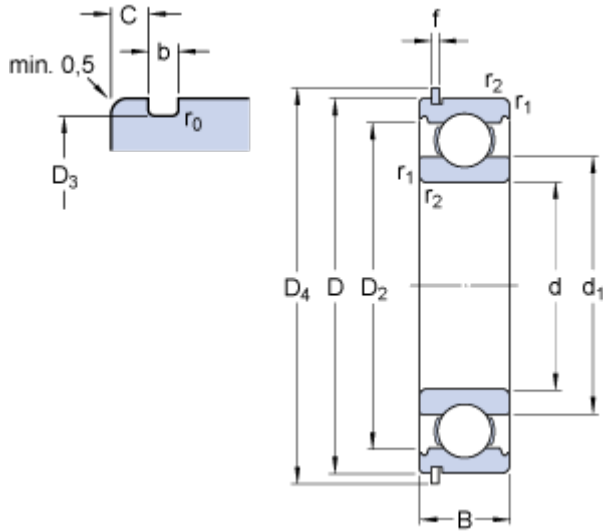


6011 NR

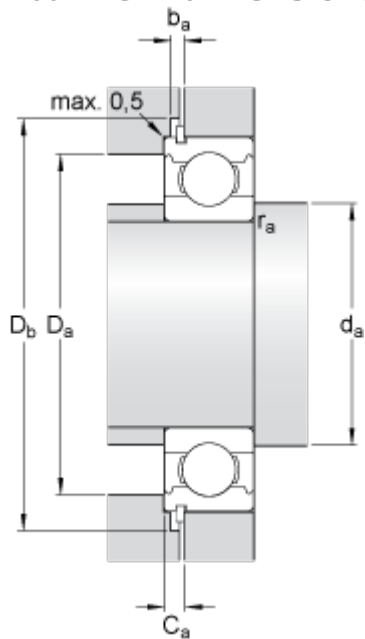
SKF Explorer

Dimensions



d		55	mm
D		90	mm
B		18	mm
d ₁	≈	66.3	mm
D ₂	≈	81.5	mm
D ₃		86.79	mm
D ₄		96.5	mm
b		2.7	mm
C		2.87	mm
f		2.46	mm
r	max.	0.6	mm
r _{1,2}	min.	1.1	mm

Abutment dimensions



d _a	min.	61	mm
D _a	max.	84	mm
D _b	min.	98	mm
b _a	min.	3	mm
C _a	max.	5.33	mm
r _a	max.	1	mm

Calculation data

Basic dynamic load rating	C	29.6	kN
Basic static load rating	C	21.2	kN
Fatigue load limit	P _u	0.9	kN
Reference speed		16000	r/min
Limiting speed		10000	r/min
Calculation factor	k _r	0.025	
Calculation factor	f	15	

Mass

Mass bearing		0.4	kg
--------------	--	-----	----

Included products

Snap ring

SP 90