

6011-2Z

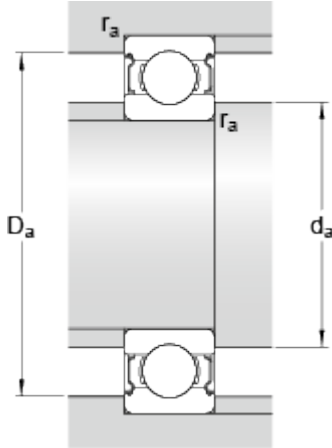
SKF Explorer

Dimensions



d		55	mm
D		90	mm
B		18	mm
d ₁	≈	66.3	mm
D ₂	≈	81.5	mm
r _{1,2}	min.	1.1	mm

Abutment dimensions



d _a	min.	61	mm
d _a	max.	66.2	mm
D _a	max.	84	mm
r _a	max.	1	mm

Calculation data

Basic dynamic load rating	C	29.6	kN
Basic static load rating	C	21.2	kN
Fatigue load limit	P _u	0.9	kN
Reference speed		16000	r/min
Limiting speed		8000	r/min
Calculation factor	k _r	0.025	
Calculation factor	f	15.4	

Mass

Mass bearing		0.4	kg
--------------	--	-----	----