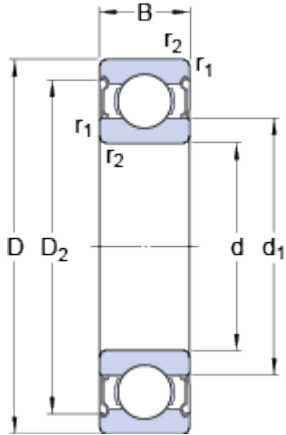


6009-2Z

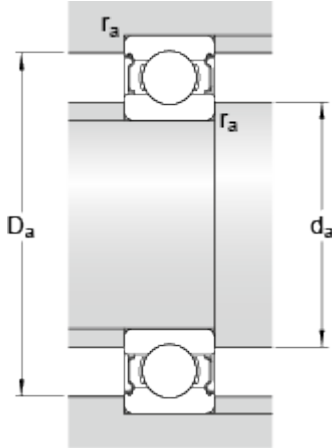
SKF Explorer

Dimensions



d		45	mm
D		75	mm
B		16	mm
d ₁	≈	54.75	mm
D ₂	≈	67.8	mm
r _{1,2}	min.	1	mm

Abutment dimensions



d _a	min.	50.8	mm
d _a	max.	54.7	mm
D _a	max.	69.2	mm
r _a	max.	1	mm

Calculation data

Basic dynamic load rating	C	22.1	kN
Basic static load rating	C	14.6	kN
Fatigue load limit	P _u	0.64	kN
Reference speed		20000	r/min
Limiting speed		10000	r/min
Calculation factor	k _r	0.025	
Calculation factor	f	14.9	

Mass

Mass bearing		0.25	kg
--------------	--	------	----