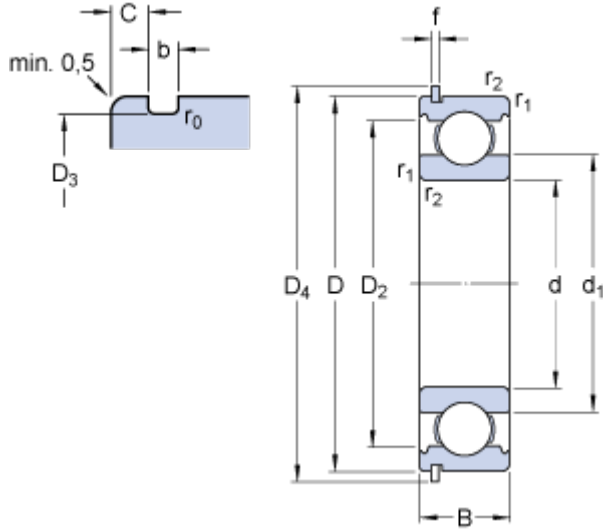


6008 NR

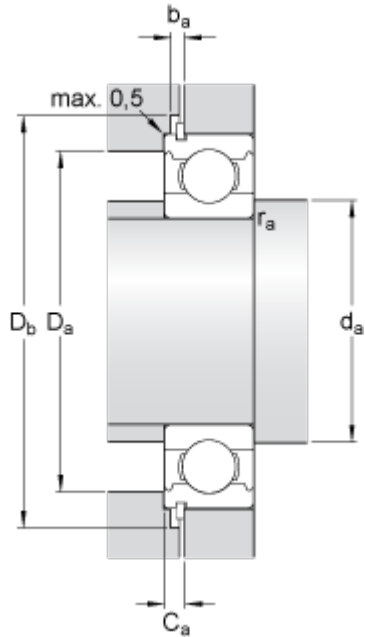
SKF Explorer

Dimensions



d	40	mm
D	68	mm
B	15	mm
d ₁	≈ 49.25	mm
D ₂	≈ 61.1	mm
D ₃	64.82	mm
D ₄	74.6	mm
b	1.9	mm
C	2.49	mm
f	1.7	mm
r	max. 0.6	mm

Abutment dimensions



d _a	min.	44.6	mm
D _a	max.	63.4	mm
D _b	min.	76	mm
b _a	min.	2.2	mm
C _a	max.	4.19	mm
r _a	max.	1	mm

Calculation data

Basic dynamic load rating	C	17.8	kN
Basic static load rating	C	11	kN
Fatigue load limit	P _u	0.49	kN
Reference speed		22000	r/min
Limiting speed		14000	r/min
Calculation factor	k _r	0.025	
Calculation factor	f	15	

Mass

Mass bearing	0.19	kg
--------------	------	----

Included products

