

6008-2Z

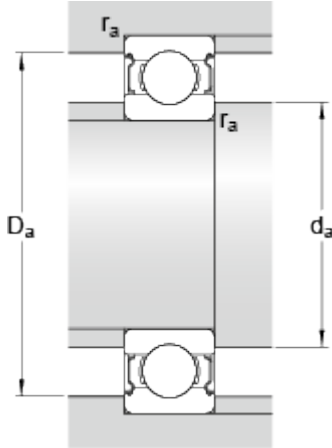
SKF Explorer

Dimensions



d		40	mm
D		68	mm
B		15	mm
d ₁	≈	49.25	mm
D ₂	≈	61.1	mm
r _{1,2}	min.	1	mm

Abutment dimensions



d _a	min.	44.6	mm
d _a	max.	49.2	mm
D _a	max.	63.4	mm
r _a	max.	1	mm

Calculation data

Basic dynamic load rating	C	17.8	kN
Basic static load rating	C	11	kN
Fatigue load limit	P _u	0.49	kN
Reference speed		22000	r/min
Limiting speed		11000	r/min
Calculation factor	k _r	0.025	
Calculation factor	f	15	

Mass

Mass bearing		0.2	kg
--------------	--	-----	----