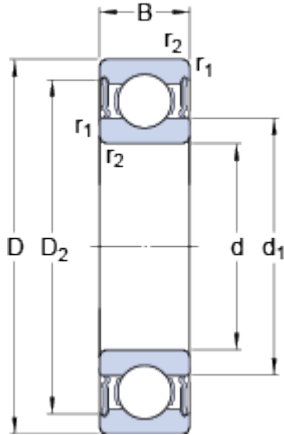


6007-2RS1

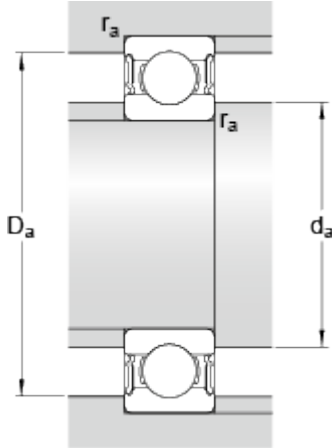
SKF Explorer

Dimensions



d	35	mm
D	62	mm
B	14	mm
d ₁	≈ 43.75	mm
D ₂	≈ 55.61	mm

Abutment dimensions



d _a	min.	39.6	mm
d _a	max.	43.7	mm
D _a	max.	57.4	mm
r _a	max.	1	mm

Calculation data

Basic dynamic load rating	C	16.8	kN
Basic static load rating	C	10.2	kN
Fatigue load limit	P _u	0.44	kN
Limiting speed		7000	r/min
Calculation factor	k _r	0.025	
Calculation factor	f	14.8	

Mass

Mass bearing	0.16	kg
--------------	------	----