

# 6006-2Z

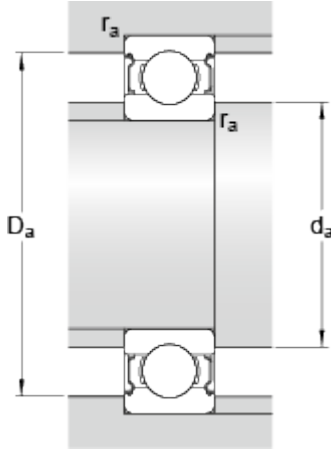
SKF Explorer

## Dimensions



d		30	mm
D		55	mm
B		13	mm
d <sub>1</sub>	≈	38.2	mm
D <sub>2</sub>	≈	49	mm
r <sub>1,2</sub>	min.	1	mm

## Abutment dimensions



d <sub>a</sub>	min.	34.6	mm
d <sub>a</sub>	max.	38.1	mm
D <sub>a</sub>	max.	50.4	mm
r <sub>a</sub>	max.	1	mm

## Calculation data

Basic dynamic load rating	C	13.8	kN
Basic static load rating	C	8.3	kN
Fatigue load limit	P <sub>u</sub>	0.355	kN
Reference speed		28000	r/min
Limiting speed		14000	r/min
Calculation factor	k <sub>r</sub>	0.025	
Calculation factor	f	15	

## Mass

Mass bearing		0.12	kg
--------------	--	------	----