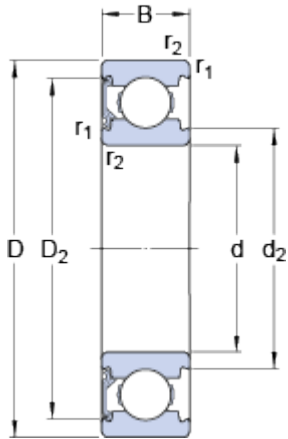


6005-RSH

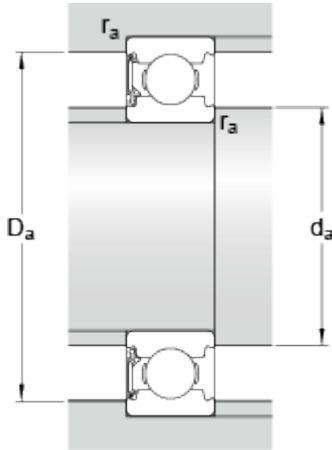
SKF Explorer

Dimensions



d		25	mm
D		47	mm
B		12	mm
d ₂	≈	29.45	mm
D ₂	≈	42.2	mm
r _{1,2}	min.	0.6	mm

Abutment dimensions



d _a	min.	28.2	mm
d _a	max.	29.5	mm
D _a	max.	43.8	mm
r _a	max.	0.6	mm

Calculation data

Basic dynamic load rating	C	11.9	kN
Basic static load rating	C	6.55	kN
Fatigue load limit	P _u	0.275	kN
Limiting speed		20000	r/min
Calculation factor	k _r	0.025	
Calculation factor	f	14	

Mass

Mass bearing		0.078	kg
--------------	--	-------	----