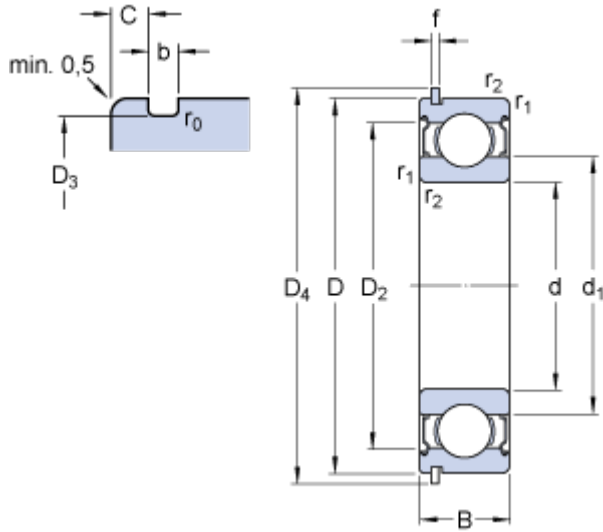


# 6005-2ZNR

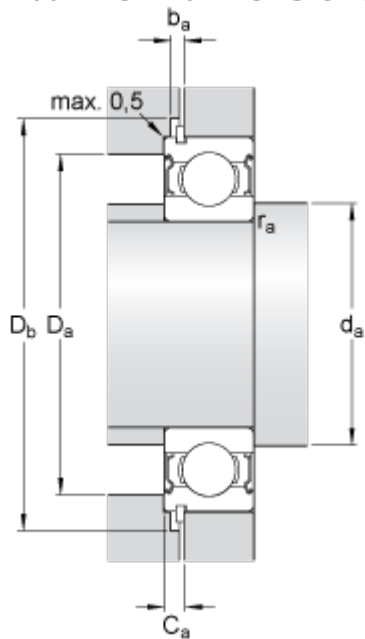
SKF Explorer

## Dimensions



d	25	mm
D	47	mm
B	12	mm
d <sub>1</sub>	≈ 32	mm
D <sub>2</sub>	≈ 42.2	mm
D <sub>3</sub>	44.6	mm
D <sub>4</sub>	52.7	mm
b	1.35	mm
C	2.06	mm
f	1.12	mm
r	max. 0.4	mm
r <sub>1,2</sub>	min. 0.6	mm

## Abutment dimensions



d <sub>a</sub>	min.	28.2	mm
d <sub>a</sub>	max.	31.9	mm
D <sub>a</sub>	max.	43.8	mm
D <sub>b</sub>	min.	54	mm
b <sub>a</sub>	min.	1.5	mm
C <sub>a</sub>	max.	3.18	mm
r <sub>a</sub>	max.	0.6	mm

## Calculation data

Basic dynamic load rating	C	11.9	kN
Basic static load rating	C	6.55	kN
Fatigue load limit	P <sub>u</sub>	0.275	kN
Reference speed		32000	r/min
Limiting speed		16000	r/min
Calculation factor	k <sub>r</sub>	0.025	
Calculation factor	f	14	

## Mass

Mass bearing		0.08	kg
--------------	--	------	----

**Included products**

---

Snap ring

SP 47