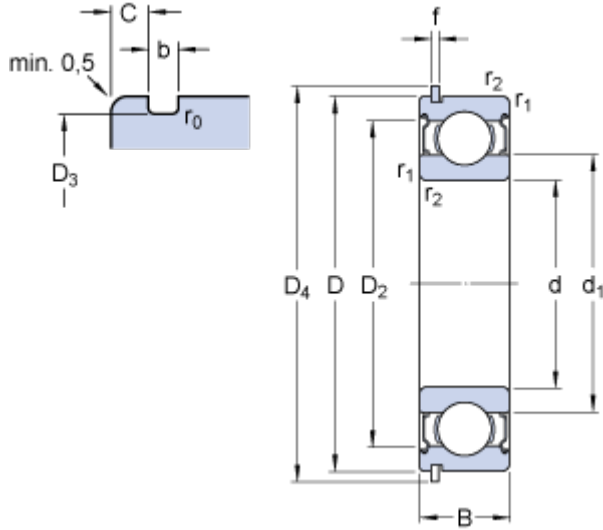


# 6004-2ZNR

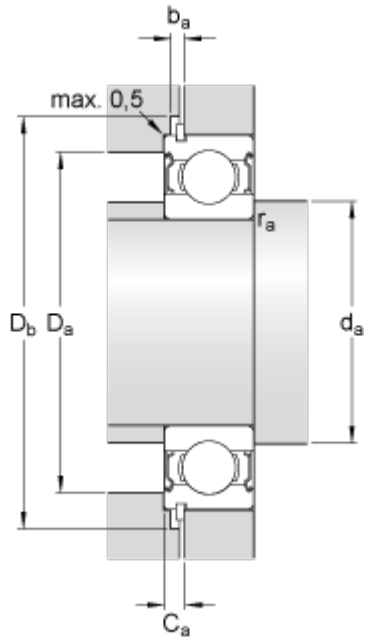
SKF Explorer

## Dimensions



d		20	mm
D		42	mm
B		12	mm
d <sub>1</sub>	≈	27.2	mm
D <sub>2</sub>	≈	37.19	mm
D <sub>3</sub>		39.75	mm
D <sub>4</sub>		46.3	mm
b		1.35	mm
C		2.06	mm
f		1.12	mm
r	max.	0.4	mm
r <sub>1,2</sub>	min.	0.6	mm

## Abutment dimensions



d <sub>a</sub>	min.	23.2	mm
d <sub>a</sub>	max.	27.1	mm
D <sub>a</sub>	max.	38.8	mm
D <sub>b</sub>	min.	48	mm
b <sub>a</sub>	min.	1.5	mm
C <sub>a</sub>	max.	3.18	mm
r <sub>a</sub>	max.	0.6	mm

## Calculation data

Basic dynamic load rating	C	9.95	kN
Basic static load rating	C	5	kN
Fatigue load limit	P <sub>u</sub>	0.212	kN
Reference speed		38000	r/min
Limiting speed		19000	r/min
Calculation factor	k <sub>r</sub>	0.025	
Calculation factor	f	14	

## Mass

Mass bearing		0.069	kg
--------------	--	-------	----

**Included products**

---

Snap ring

SP 42