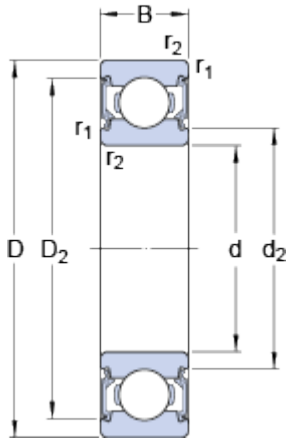


6004-2RSL

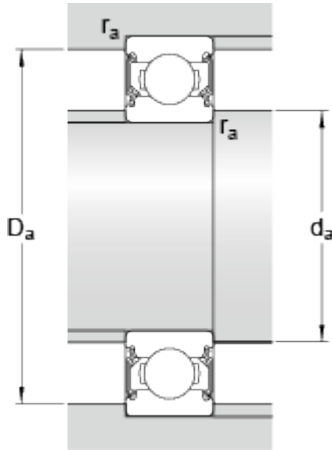
SKF Explorer

Dimensions



d	20	mm
D	42	mm
B	12	mm
d ₂	≈ 24.65	mm
D ₂	≈ 37.19	mm

Abutment dimensions



d _a	min.	23.2	mm
d _a	max.	24.5	mm
D _a	max.	38.8	mm
r _a	max.	0.6	mm

Calculation data

Basic dynamic load rating	C	9.95	kN
Basic static load rating	C	5	kN
Fatigue load limit	P _u	0.212	kN
Reference speed		38000	r/min
Limiting speed		19000	r/min
Calculation factor	k _r	0.025	
Calculation factor	f	14	

Mass

Mass bearing		0.069	kg
--------------	--	-------	----