

6003-2Z

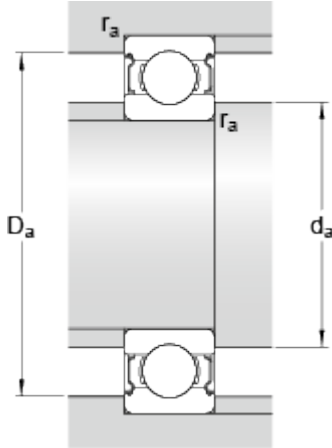
SKF Explorer

Dimensions



d		17	mm
D		35	mm
B		10	mm
d ₁	≈	23	mm
D ₂	≈	31.2	mm
r _{1,2}	min.	0.3	mm

Abutment dimensions



d _a	min.	19	mm
d _a	max.	22.9	mm
D _a	max.	33	mm
r _a	max.	0.3	mm

Calculation data

Basic dynamic load rating	C	6.37	kN
Basic static load rating	C	3.25	kN
Fatigue load limit	P _u	0.137	kN
Reference speed		45000	r/min
Limiting speed		22000	r/min
Calculation factor	k _r	0.025	
Calculation factor	f	14	

Mass

Mass bearing		0.041	kg
--------------	--	-------	----