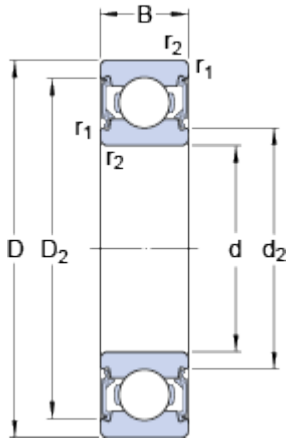


# 6003-2RSL

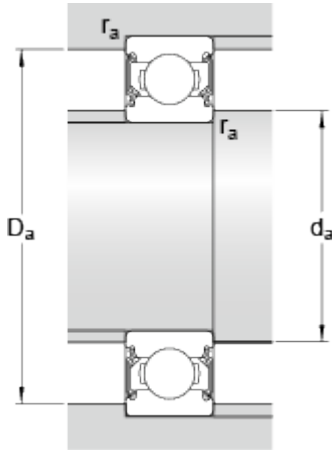
SKF Explorer

## Dimensions



d		17	mm
D		35	mm
B		10	mm
d <sub>2</sub>	≈	20.45	mm
D <sub>2</sub>	≈	31.2	mm
r <sub>1,2</sub>	min.	0.3	mm

## Abutment dimensions



d <sub>a</sub>	min.	19	mm
d <sub>a</sub>	max.	20.5	mm
D <sub>a</sub>	max.	33	mm
r <sub>a</sub>	max.	0.3	mm

## Calculation data

Basic dynamic load rating	C	6.37	kN
Basic static load rating	C	3.25	kN
Fatigue load limit	P <sub>u</sub>	0.137	kN
Reference speed		45000	r/min
Limiting speed		22000	r/min
Calculation factor	k <sub>r</sub>	0.025	
Calculation factor	f	14	

## Mass

Mass bearing		0.039	kg
--------------	--	-------	----