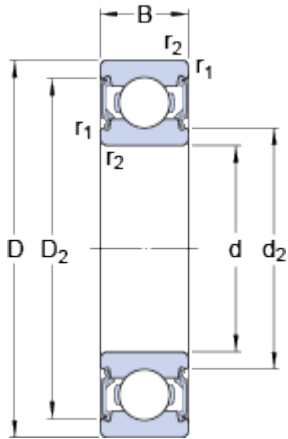


6002-2RSL

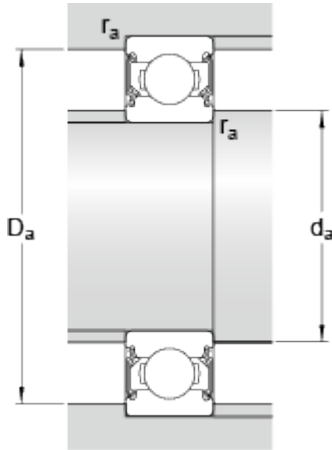
SKF Explorer

Dimensions



d		15	mm
D		32	mm
B		9	mm
d ₂	≈	18.35	mm
D ₂	≈	28.2	mm
r _{1,2}	min.	0.3	mm

Abutment dimensions



d _a	min.	17	mm
d _a	max.	18.5	mm
D _a	max.	30	mm
r _a	max.	0.3	mm

Calculation data

Basic dynamic load rating	C	5.85	kN
Basic static load rating	C	2.85	kN
Fatigue load limit	P _u	0.12	kN
Reference speed		50000	r/min
Limiting speed		26000	r/min
Calculation factor	k _r	0.025	
Calculation factor	f	14	

Mass

Mass bearing		0.03	kg
--------------	--	------	----