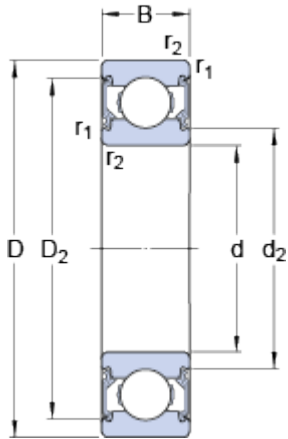


# 6002-2RSH

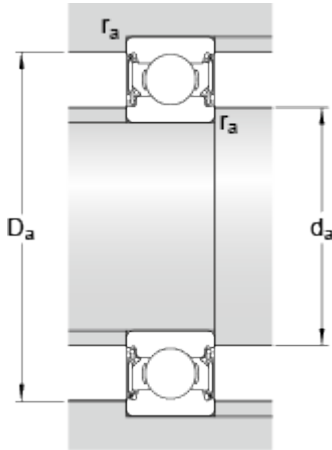
SKF Explorer

## Dimensions



d		15	mm
D		32	mm
B		9	mm
d <sub>2</sub>	≈	18.35	mm
D <sub>2</sub>	≈	28.2	mm
r <sub>1,2</sub>	min.	0.3	mm

## Abutment dimensions



d <sub>a</sub>	min.	17	mm
d <sub>a</sub>	max.	18.5	mm
D <sub>a</sub>	max.	30	mm
r <sub>a</sub>	max.	0.3	mm

## Calculation data

Basic dynamic load rating	C	5.85	kN
Basic static load rating	C	2.85	kN
Fatigue load limit	P <sub>u</sub>	0.12	kN
Limiting speed		14000	r/min
Calculation factor	k <sub>r</sub>	0.025	
Calculation factor	f	14	

## Mass

Mass bearing		0.03	kg
--------------	--	------	----