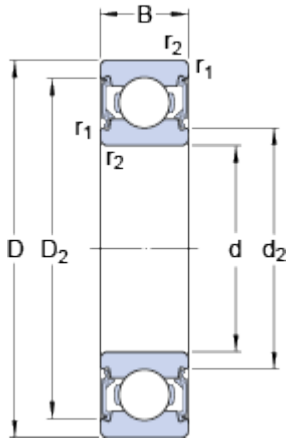


# 6000-2RSL

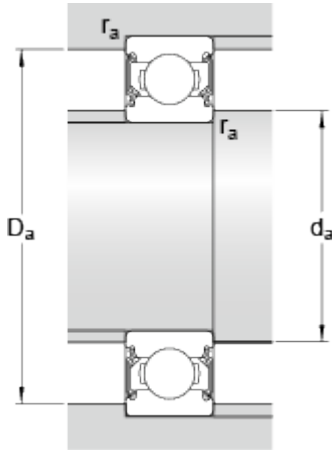
SKF Explorer

## Dimensions



d	10	mm
D	26	mm
B	8	mm
d <sub>2</sub>	≈ 12.55	mm
D <sub>2</sub>	≈ 22.6	mm

## Abutment dimensions



d <sub>a</sub>	min.	12	mm
d <sub>a</sub>	max.	12.5	mm
D <sub>a</sub>	max.	24	mm
r <sub>a</sub>	max.	0.3	mm

## Calculation data

Basic dynamic load rating	C	4.75	kN
Basic static load rating	C	1.96	kN
Fatigue load limit	P <sub>u</sub>	0.083	kN
Reference speed		67000	r/min
Limiting speed		34000	r/min
Calculation factor	k <sub>r</sub>	0.025	
Calculation factor	f	12	

## Mass

Mass bearing	0.019	kg
--------------	-------	----