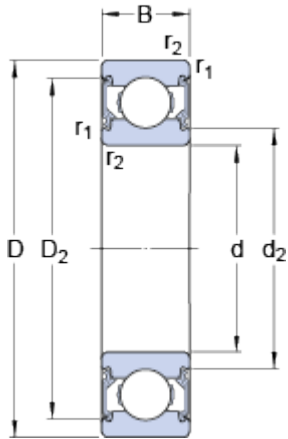


6000-2RSH

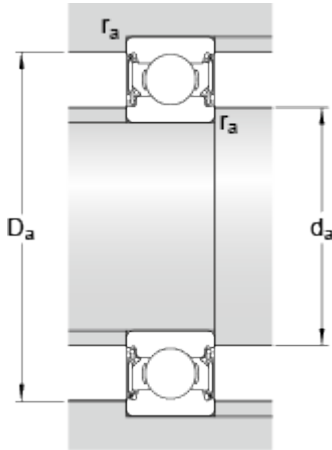
SKF Explorer

Dimensions



d	10	mm
D	26	mm
B	8	mm
d ₂	≈ 12.55	mm
D ₂	≈ 22.6	mm

Abutment dimensions



d _a	min.	12	mm
d _a	max.	12.5	mm
D _a	max.	24	mm
r _a	max.	0.3	mm

Calculation data

Basic dynamic load rating	C	4.75	kN
Basic static load rating	C	1.96	kN
Fatigue load limit	P _u	0.083	kN
Limiting speed		19000	r/min
Calculation factor	k _r	0.025	
Calculation factor	f	12	

Mass

Mass bearing		0.019	kg
--------------	--	-------	----