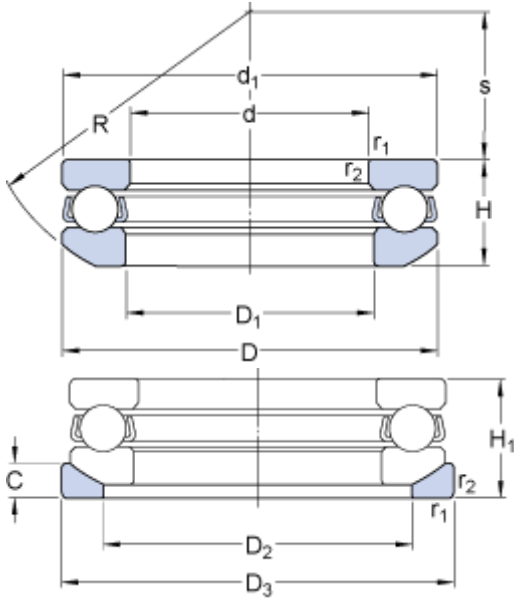


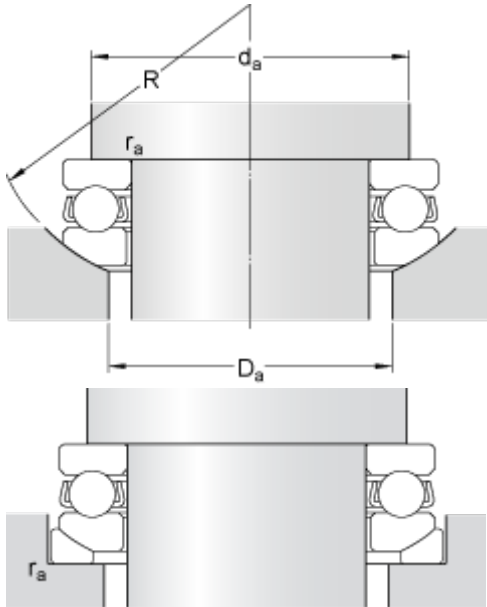
53408 + U 408

Dimensions



d		40	mm
D		90	mm
H		38.2	mm
H_1		42	mm
d_1	≈	90	mm
D_1	≈	42	mm
D_2		65	mm
D_3		95	mm
C		12	mm
R		72	mm
s		26	mm
$r_{1,2}$	min.	1.1	mm

Abutment dimensions



d_a	min.	70	mm
D_a	max.	65	mm
r_a	max.	1	mm

Calculation data

Basic dynamic load rating	C	95.6	kN
Basic static load rating	C	183	kN
Fatigue load limit	P_u	6.8	kN
Reference speed		2400	r/min
Limiting speed		3200	r/min
Minimum load factor	A	0.26	

Mass

Mass bearing (including seat washer where applicable)		1.35	kg
---	--	------	----

