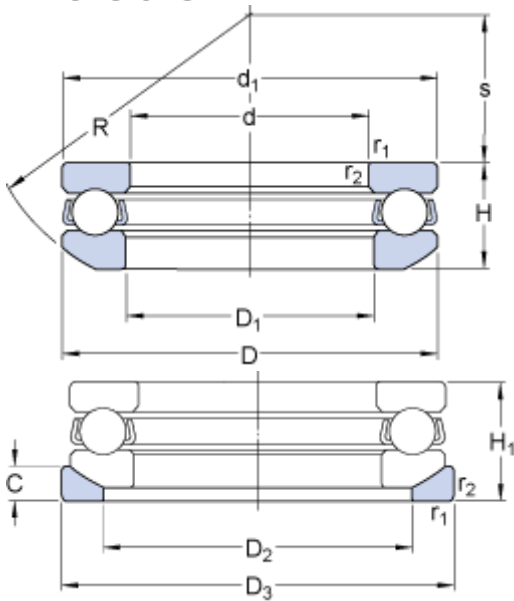


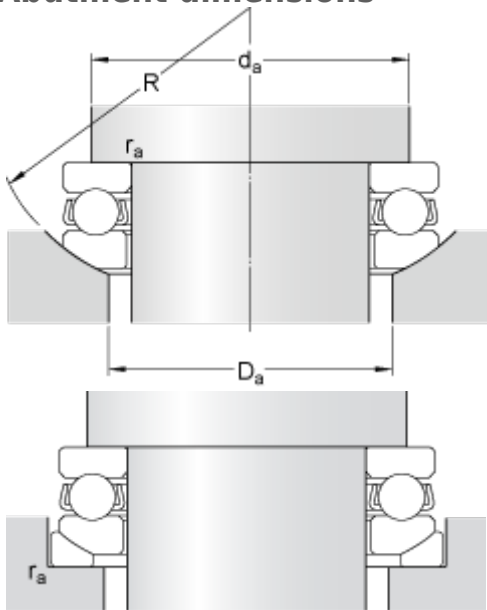
# 53309 + U 309

## Dimensions



d		45	mm
D		85	mm
H		30.1	mm
H <sub>1</sub>		33	mm
d <sub>1</sub>	≈	85	mm
D <sub>1</sub>	≈	47	mm
D <sub>2</sub>		65	mm
D <sub>3</sub>		90	mm
C		10	mm
R		64	mm
s		25	mm
r <sub>1,2</sub>	min.	1	mm

## Abutment dimensions



d <sub>a</sub>	min.	69	mm
D <sub>a</sub>	max.	65	mm
r <sub>a</sub>	max.	1	mm

## Calculation data

Basic dynamic load rating	C	76.1	kN
Basic static load rating	C	153	kN
Fatigue load limit	P <sub>u</sub>	5.6	kN
Reference speed		2600	r/min
Limiting speed		3800	r/min
Minimum load factor	A	0.12	

## Mass

Mass bearing (including seat washer where applicable)		0.83	kg
---	--	------	----

