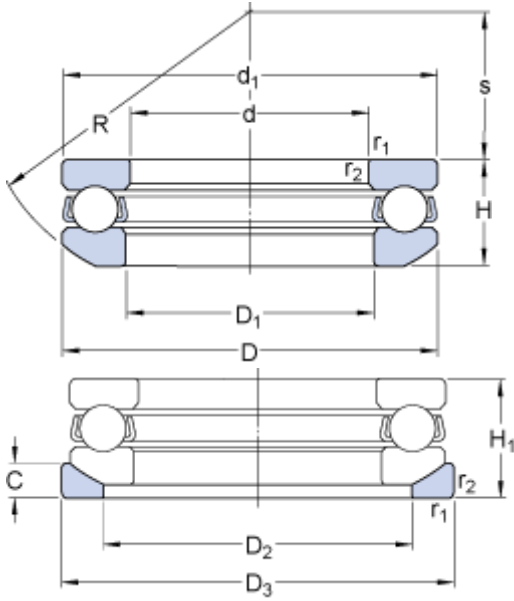


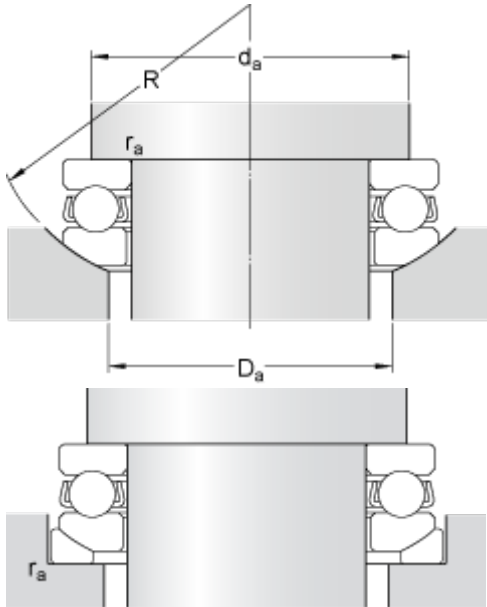
53308 + U 308

Dimensions



d		40	mm
D		78	mm
H		28.5	mm
H ₁		31	mm
d ₁	≈	78	mm
D ₁	≈	42	mm
D ₂		60	mm
D ₃		82	mm
C		8.5	mm
R		64	mm
s		28	mm
r _{1,2}	min.	1	mm

Abutment dimensions



d _a	min.	63	mm
D _a	max.	60	mm
r _a	max.	1	mm

Calculation data

Basic dynamic load rating	C	61.8	kN
Basic static load rating	C	122	kN
Fatigue load limit	P _u	4.5	kN
Reference speed		2800	r/min
Limiting speed		4000	r/min
Minimum load factor	A	0.077	

Mass

Mass bearing (including seat washer where applicable)		0.67	kg
---	--	------	----

