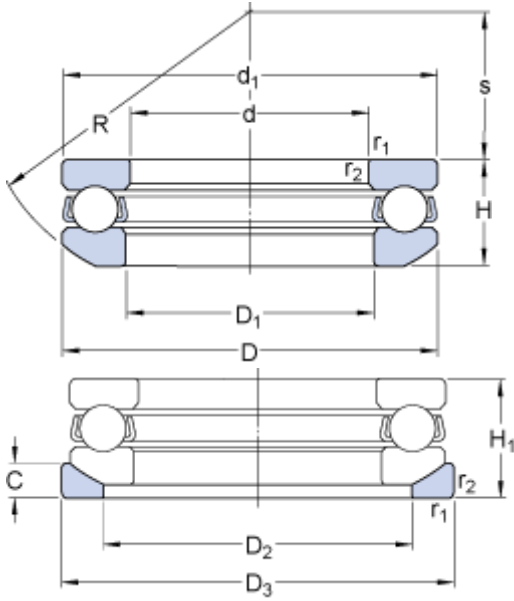


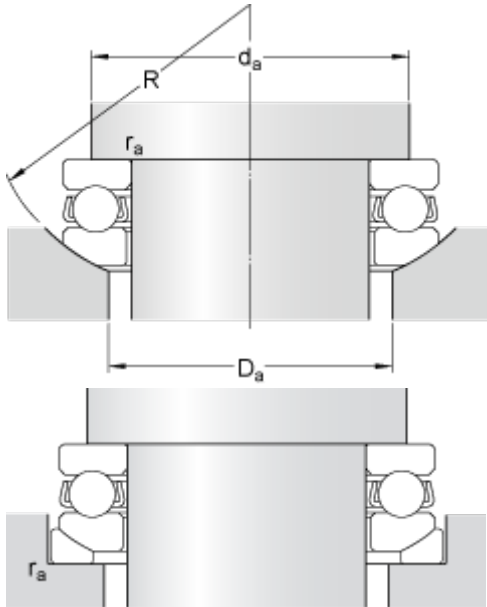
53306 + U 306

Dimensions



d	30	mm
D	60	mm
H	22.6	mm
H ₁	25	mm
d ₁	≈ 60	mm
D ₁	≈ 32	mm
D ₂	45	mm
D ₃	62	mm
C	7	mm
R	50	mm
s	22	mm
r _{1,2}	min. 1	mm

Abutment dimensions



d _a	min. 48	mm
D _a	max. 45	mm
r _a	max. 1	mm

Calculation data

Basic dynamic load rating	C	35.8	kN
Basic static load rating	C	65.5	kN
Fatigue load limit	P _u	2.4	kN
Reference speed		3800	r/min
Limiting speed		5300	r/min
Minimum load factor	A	0.026	

Mass

Mass bearing (including seat washer where applicable)	0.33	kg
---	------	----

