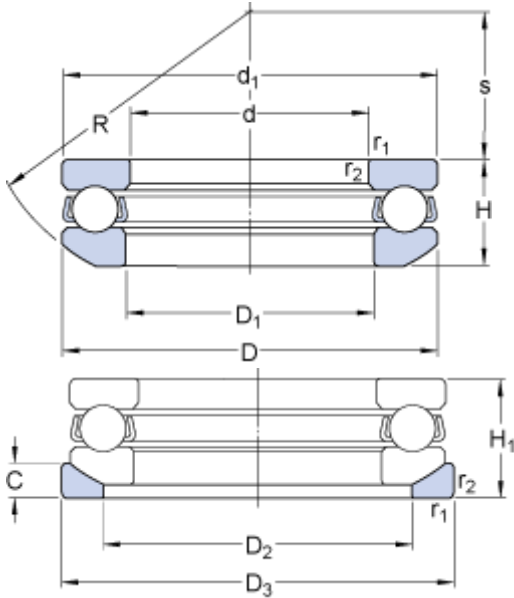


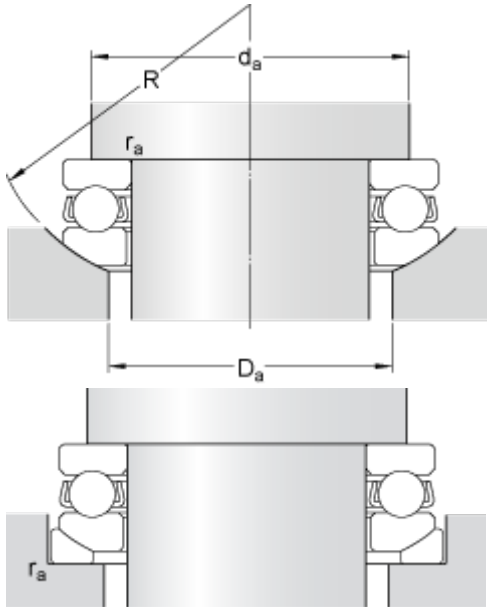
53218 + U 218

Dimensions



d		90	mm
D		135	mm
H		38.5	mm
H ₁		42	mm
d ₁	≈	135	mm
D ₁	≈	93	mm
D ₂		110	mm
D ₃		140	mm
C		13.5	mm
R		100	mm
s		45	mm
r _{1,2}	min.	1.1	mm

Abutment dimensions



d _a	min.	117	mm
D _a	max.	110	mm
r _a	max.	1	mm

Calculation data

Basic dynamic load rating	C	112	kN
Basic static load rating	C	290	kN
Fatigue load limit	P _u	10.4	kN
Reference speed		1900	r/min
Limiting speed		2600	r/min
Minimum load factor	A	0.55	

Mass

Mass bearing (including seat washer where applicable)		2.1	kg
---	--	-----	----

