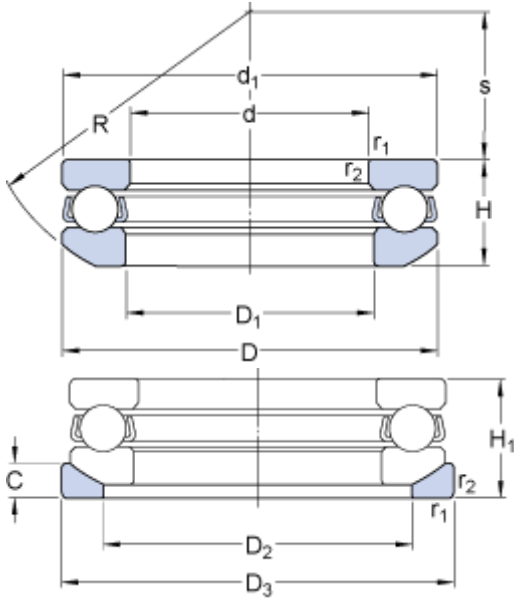


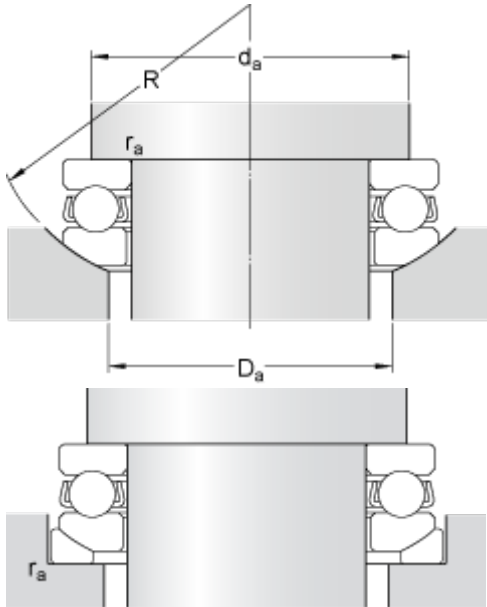
# 53216 + U 216

## Dimensions



d	80	mm
D	115	mm
H	29.5	mm
H <sub>1</sub>	33	mm
d <sub>1</sub>	≈ 115	mm
D <sub>1</sub>	≈ 82	mm
D <sub>2</sub>	98	mm
D <sub>3</sub>	120	mm
C	10	mm
R	90	mm
s	46	mm
r <sub>1,2</sub>	min. 1	mm

## Abutment dimensions



d <sub>a</sub>	min. 101	mm
D <sub>a</sub>	max. 98	mm
r <sub>a</sub>	max. 1	mm

## Calculation data

Basic dynamic load rating	C	76.1	kN
Basic static load rating	C	208	kN
Fatigue load limit	P <sub>u</sub>	7.65	kN
Reference speed		2400	r/min
Limiting speed		3200	r/min
Minimum load factor	A	0.22	

## Mass

Mass bearing (including seat washer where applicable)	1.1	kg
---	-----	----

