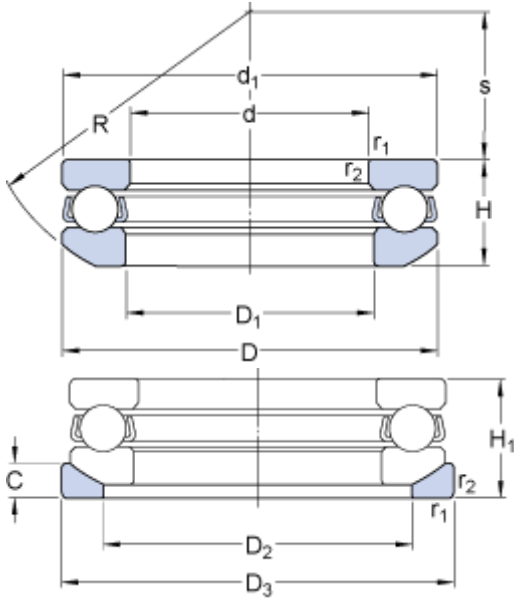


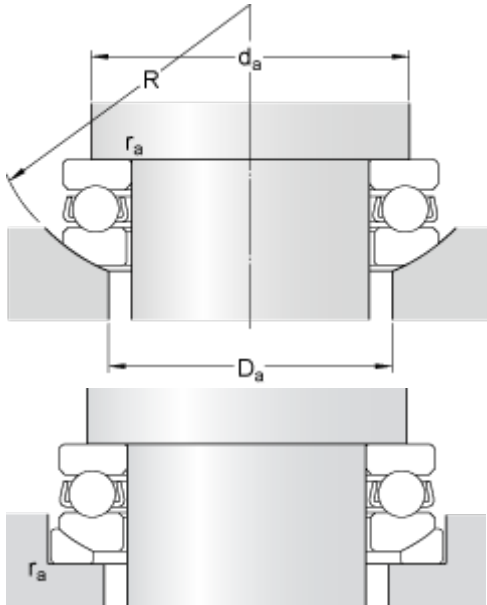
53215 + U 215

Dimensions



d		75	mm
D		110	mm
H		28.3	mm
H ₁		32	mm
d ₁	≈	110	mm
D ₁	≈	77	mm
D ₂		92	mm
D ₃		115	mm
C		9.5	mm
R		90	mm
s		49	mm
r _{1,2}	min.	1	mm

Abutment dimensions



d _a	min.	96	mm
D _a	max.	92	mm
r _a	max.	1	mm

Calculation data

Basic dynamic load rating	C	63.7	kN
Basic static load rating	C	170	kN
Fatigue load limit	P _u	6.2	kN
Reference speed		2400	r/min
Limiting speed		3400	r/min
Minimum load factor	A	0.17	

Mass

Mass bearing (including seat washer where applicable)	1	kg
---	---	----

