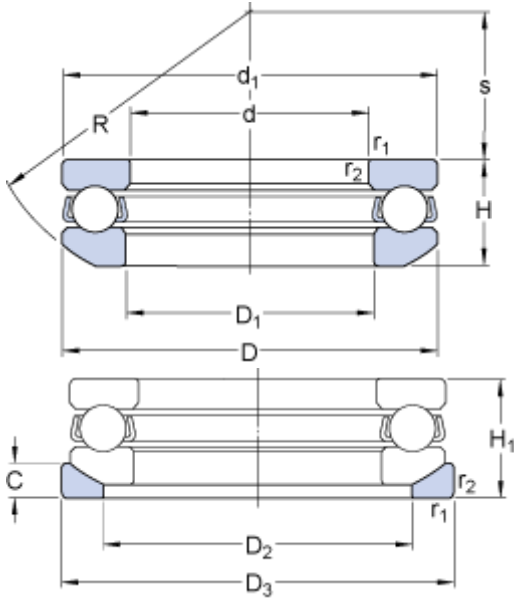


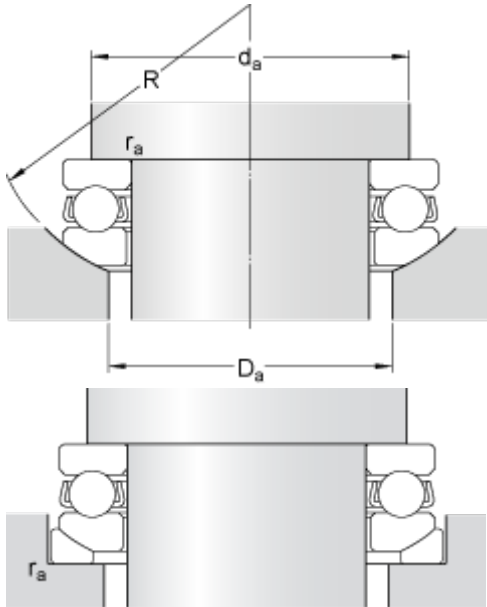
53214 + U 214

Dimensions



d		70	mm
D		105	mm
H		27	mm
H ₁		32	mm
d ₁	≈	105	mm
D ₁	≈	72	mm
D ₂		88	mm
D ₃		110	mm
C		9	mm
R		80	mm
s		38	mm
r _{1,2}	min.	1	mm

Abutment dimensions



d _a	min.	91	mm
D _a	max.	88	mm
r _a	max.	1	mm

Calculation data

Basic dynamic load rating	C	62.4	kN
Basic static load rating	C	160	kN
Fatigue load limit	P _u	5.85	kN
Reference speed		2600	r/min
Limiting speed		3600	r/min
Minimum load factor	A	0.16	

Mass

Mass bearing (including seat washer where applicable)		0.97	kg
---	--	------	----

