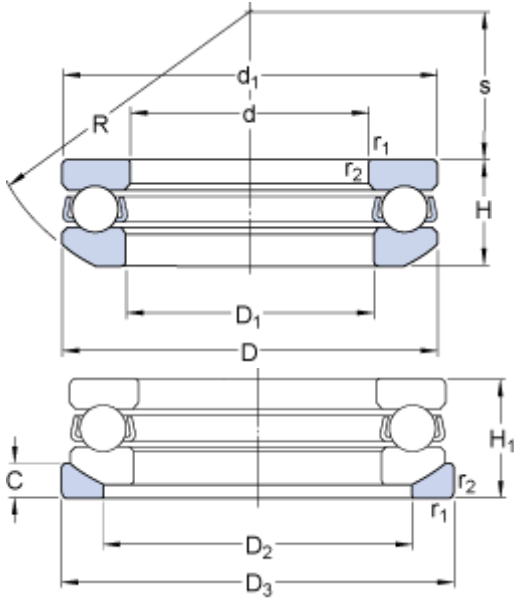


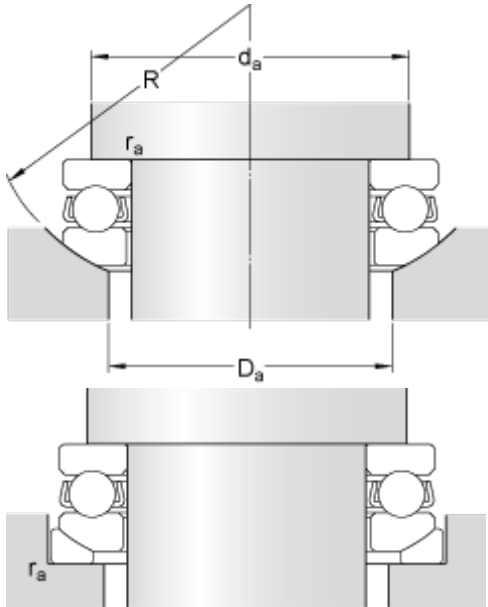
# 53212 + U 212

## Dimensions



d	60	mm
D	95	mm
H	28	mm
H <sub>1</sub>	31	mm
d <sub>1</sub>	≈ 95	mm
D <sub>1</sub>	≈ 62	mm
D <sub>2</sub>	78	mm
D <sub>3</sub>	100	mm
C	9	mm
R	72	mm
s	32.5	mm
r <sub>1,2</sub>	min. 1	mm

## Abutment dimensions



d <sub>a</sub>	min. 81	mm
D <sub>a</sub>	max. 78	mm
r <sub>a</sub>	max. 1	mm

## Calculation data

Basic dynamic load rating	C	59.2	kN
Basic static load rating	C	140	kN
Fatigue load limit	P <sub>u</sub>	5.1	kN
Reference speed		2600	r/min
Limiting speed		3600	r/min
Minimum load factor	A	0.12	

## Mass

Mass bearing (including seat washer where applicable)		0.82	kg
---	--	------	----

