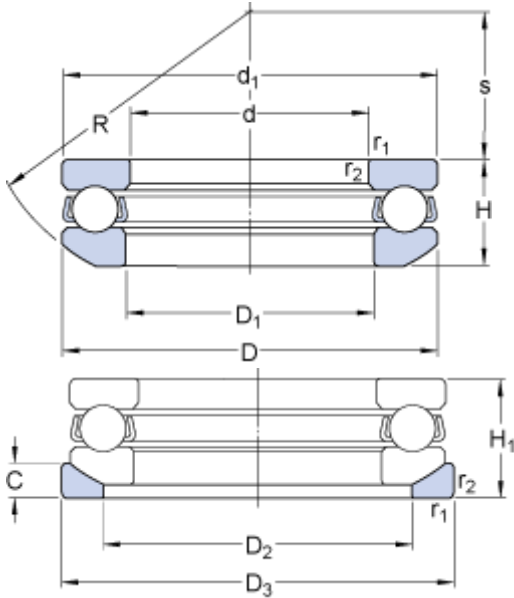


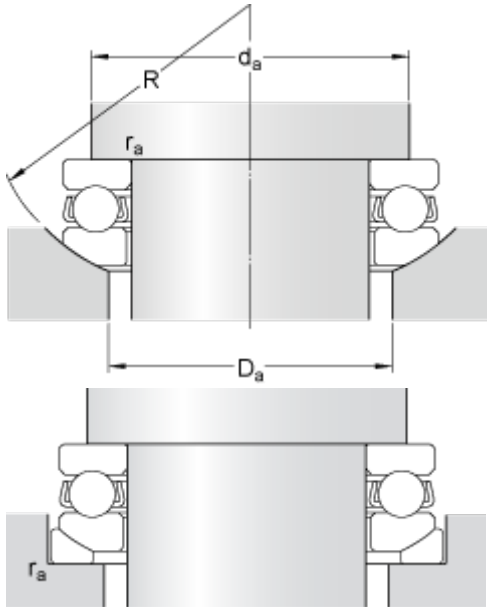
53206 + U 206

Dimensions



d		30	mm
D		52	mm
H		17.8	mm
H ₁		20	mm
d ₁	≈	52	mm
D ₁	≈	32	mm
D ₂		42	mm
D ₃		55	mm
C		5.5	mm
R		45	mm
s		22	mm
r _{1,2}	min.	0.6	mm

Abutment dimensions



d _a	min.	43	mm
D _a	max.	42	mm
r _a	max.	0.6	mm

Calculation data

Basic dynamic load rating	C	25.1	kN
Basic static load rating	C	51	kN
Fatigue load limit	P _u	1.86	kN
Reference speed		4500	r/min
Limiting speed		6300	r/min
Minimum load factor	A	0.013	

Mass

Mass bearing (including seat washer where applicable)		0.18	kg
---	--	------	----

