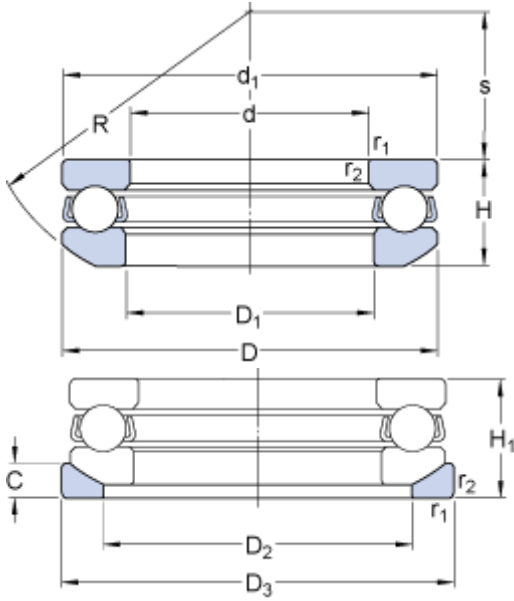


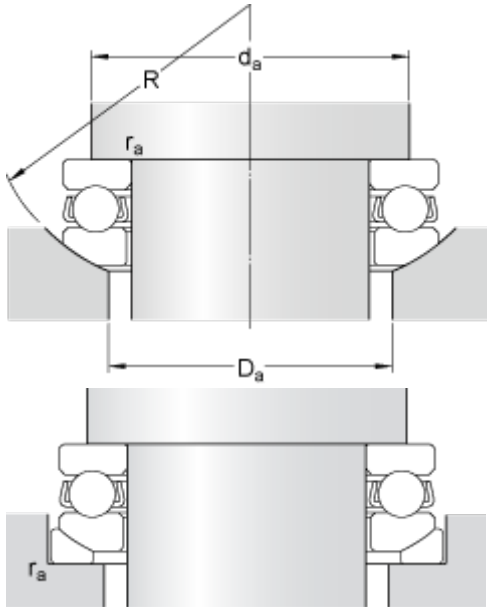
# 53205 + U 205

## Dimensions



d		25	mm
D		47	mm
H		16.7	mm
H <sub>1</sub>		19	mm
d <sub>1</sub>	≈	47	mm
D <sub>1</sub>	≈	27	mm
D <sub>2</sub>		36	mm
D <sub>3</sub>		50	mm
C		5.5	mm
R		40	mm
s		19	mm
r <sub>1,2</sub>	min.	0.6	mm

## Abutment dimensions



d <sub>a</sub>	min.	38	mm
D <sub>a</sub>	max.	36	mm
r <sub>a</sub>	max.	0.6	mm

## Calculation data

Basic dynamic load rating	C	26.5	kN
Basic static load rating	C	50	kN
Fatigue load limit	P <sub>u</sub>	1.86	kN
Reference speed		5000	r/min
Limiting speed		7000	r/min
Minimum load factor	A	0.015	

## Mass

Mass bearing (including seat washer where applicable)		0.15	kg
---	--	------	----

